

### Standards

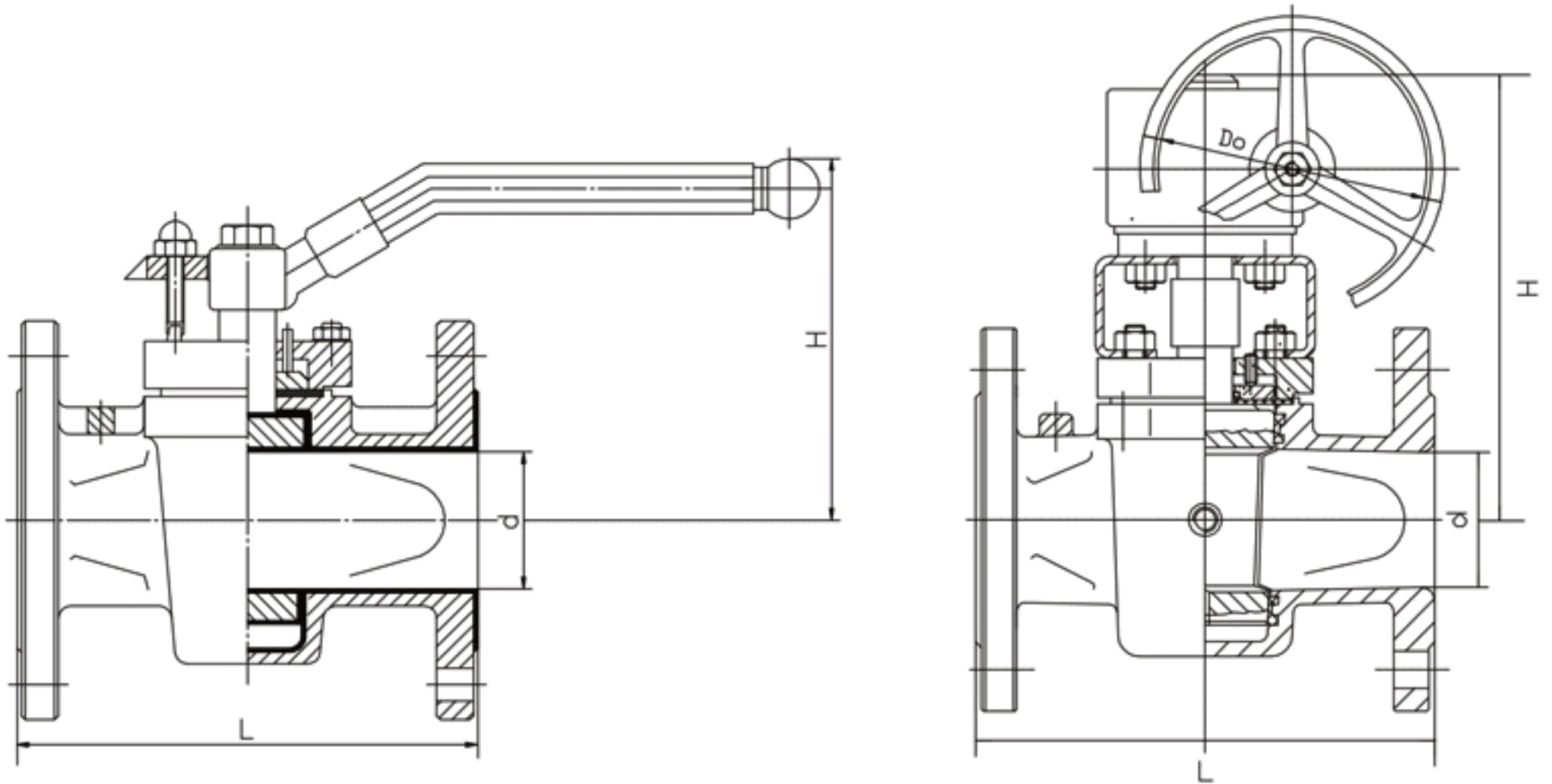
Design standard	API 599, API 6D
Face to face	ASME B16.10, API 6D
Butt welding end	ASME B 16.25
End flange	ASME B 16.5
Test and Inspection	API 598

### Parts and material list

Part Name		Carbon Steel to ASTM		Alloy Steel to ASTM				Stainless Steel to ASTM			
1	Body	A216 WCB	A352 LCB	A217 WC1	A217 WC6	A217 WC9	A217 C5	A351 CF8	A351 CF8M	A351 CF3	A351 CF3M
2	Sleeve	PTFE									
3	Plug	A182 F6a	A182 F6a	A182 F6a	A182 F6a	A182 F6a	A182 F6a	A182 F304	A182 F316	A182 F304L	A182 F316L
4	Cover	A216 WCB	A352 LCB	A217 WC1	A217 WC6	A217 WC9	A217 C5	A351 CF8	A351 CF8M	A351 CF3	A351 CF3M
5	Gasket	Flexible Graphite+SS, PTFE									
6	Adjusting gasket	A182 F6a	A182 F6a	A182 F6a	A182 F6a	A182 F6a	A182 F6a	A182 F304	A182 F316	A182 F304L	A182 F316L
7	Adjusting bolt	A193 B7	A320 L7	A193 B7	A193 B16	A193 B16	A193 B16	A193 B8	A193 B8	A193 B8	A193 B8
8	Bolt	A193 B7	A320 L7	A193 B7	A193 B16	A193 B16	A193 B16	A193 B8	A193 B8	A193 B8	A193 B8
9	Nut	A194 2H	A194 4	A194 2H	A194 4	A194 4	A194 4	A194 8	A194 8	A194 8	A194 8
10	Yoke	A216 WCB	A216 WCB	A216 WCB	A216 WCB	A216 WCB	A216 WCB	A216 WCB	A351 CF8	A351 CF8	A351 CF8
11	Worm	Cast iron or Carbon Steel									

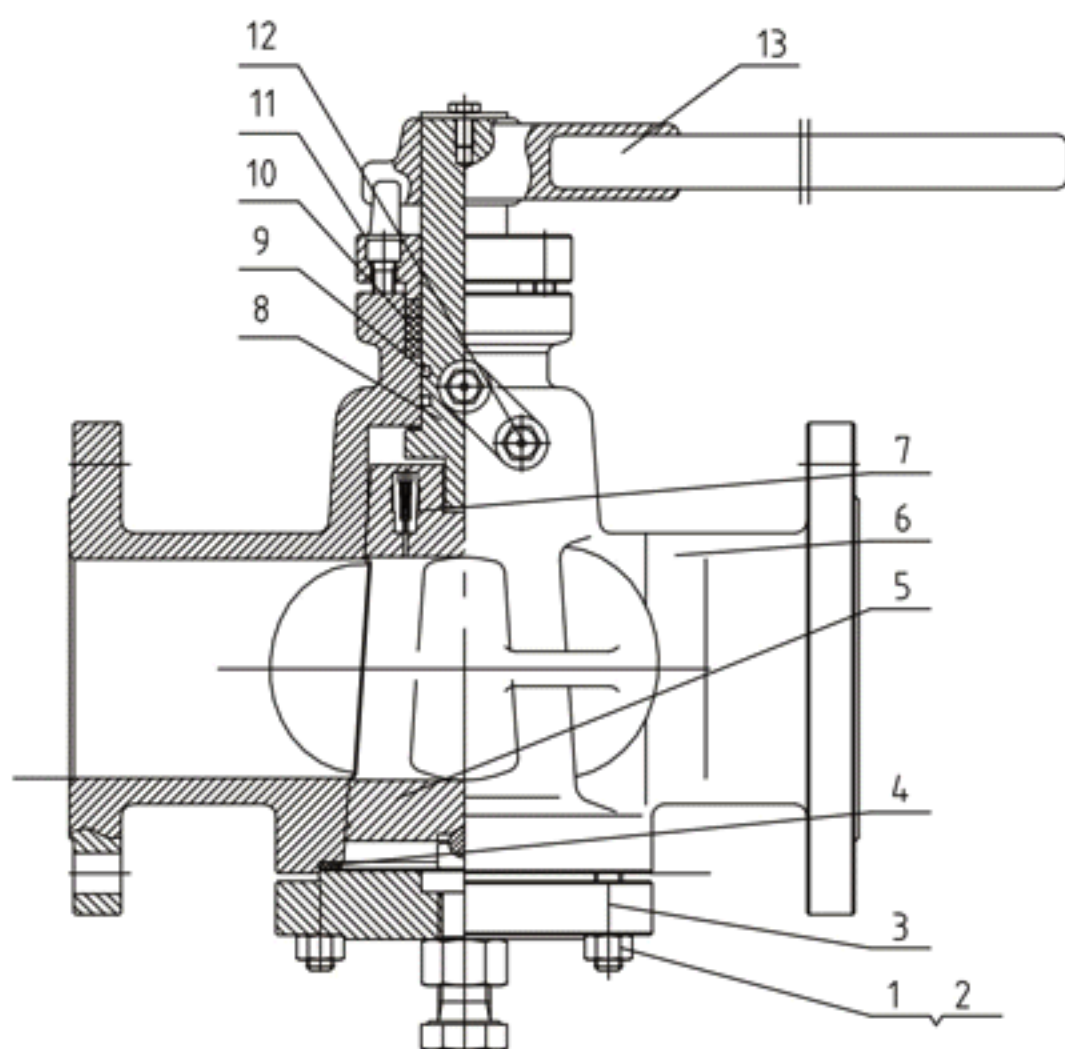


### Class 150 & Class 300 Sleeve Soft sealing Plug Valve



Size		Class 150					Class 300				
		Dimensions (mm)				Wt (kg)	Dimensions (mm)				Wt (kg)
NPS	DN	L	d	H	Do	H.W	L	d	H	Do	H.W
1/2	15	108	13	110	175	8.5	140	13	110	175	9.5
3/4	20	117	19	115	175	9.5	152	19	115	175	10.5
1	25	127	25	115	175	10.5	165	25	115	175	12
1 1/4	32	140	32	135	220	12	178	32	135	220	14
1 1/2	40	165	38	140	280	14	190	38	140	280	16
2	50	178	49	150	305	18	216	49	150	305	20
2 1/2	65	190	62	165	350	22	241	62	165	350	24
3	80	203	74	180	405	26	283	74	180	405	29
4	100	229	100	380	300	40	305	100	380	300	53
5	125	254	127	460	300	60	381	127	460	300	75
6	150	267	150	520	320	70	403	150	520	320	85
8	200	292	201	580	320	130	419	201	580	320	185
10	250	330	252	620	350	219	457	252	620	350	230
12	300	356	303	680	380	381	502	303	680	380	390
14	350	381	334	760	450	570	762	334	760	450	550





### Standards

Design standard	API 599, API 6D
Face to face	ASME B16.10. API 6D
Butt welding end	ASME B 16.25
End flange	ASME B 16.5
Test and Inspection	API 598

### Specifications

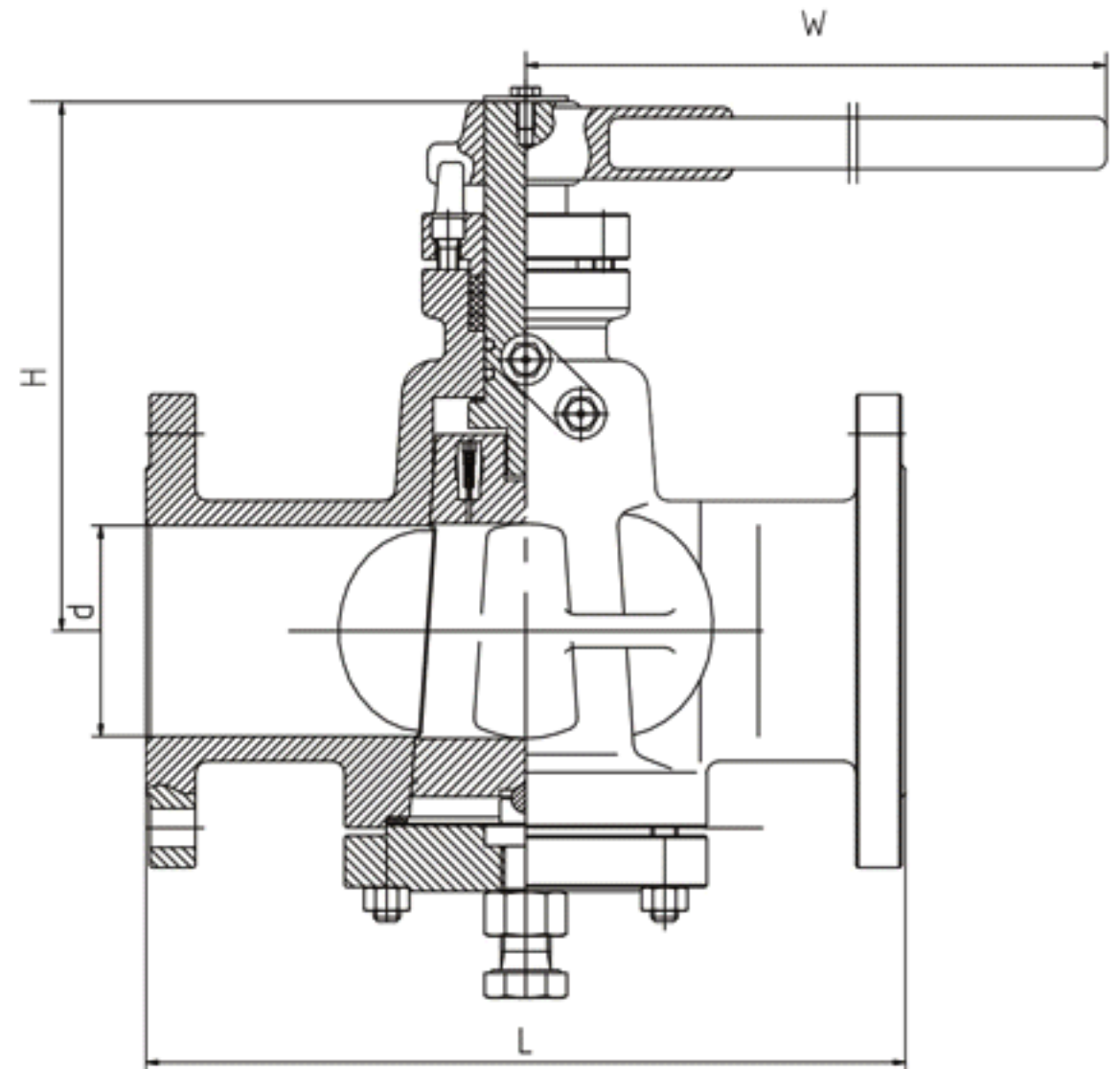
Construction type: Pressure Balance;  
Inverted Plug Valve  
Operator type: Handwheel, Gear Operation

### Parts and material list

Part Name		Carbon Steel to ASTM		Alloy Steel to ASTM				Stainless Steel to ASTM			
1	Bolt	A193 B7	A320 L7	A193 B7	A193 B16	A193 B16	A193 B16	A193 B8	A193 B8	A193 B8	A193 B8
2	Nut	A194 2H	A194 4	A194 2H	A194 4	A194 4	A194 4	A194 8	A194 8	A194 8	A194 8
3	Cover	A216 WCB	A352 LCB	A217 WC1	A217 WC6	A217 WC9	A217 C5	A351 CF8	A351 CF8M	A351 CF3	A351 CF3M
4	Gasket	Flexible Graphite+SS, PTFE									
5	Plug	A182 F6a	A182 F6a	A182 F6a	A182 F6a	A182 F6a	A182 F6a	A182 F304	A182 F316	A182 F304L	A182 F316L
6	Body	A216 WCB	A352 LCB	A217 WC1	A217 WC6	A217 WC9	A217 C5	A351 CF8	A351 CF8M	A351 CF3	A351 CF3M
7	Check Valve	SS	SS	SS	SS	SS	SS	SS	SS	SS	SS
8	Stem	A182 F6a	A182 F6a	A182 F6a	A182 F6a	A182 F6a	A182 F6a	A182 F304	A182 F316	A182 F304L	A182 F316L
9	O-ring	NBR or Viton									
10	Packing	Flexible Graphite+SS, PTFE									
11	Gland	A216 WCB	A352 LCB	A217 WC1	A217 WC6	A217 WC9	A217 C5	A351 CF8	A351 CF8M	A351 CF3	A351 CF3M
12	Nozzle	SS	SS	SS	SS	SS	SS	SS	SS	SS	SS
13	Wrench	Ductile Iron or Carbon Steel									



### ▶ Class 150 & Class 300 Inverted Pressure Balance Lubricated Plug Valve

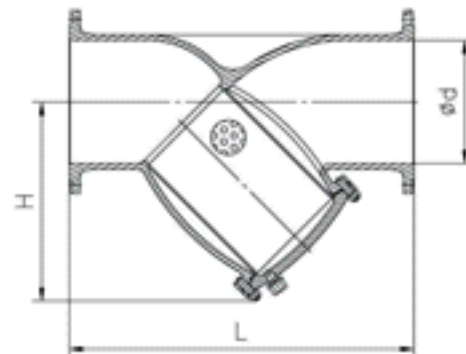
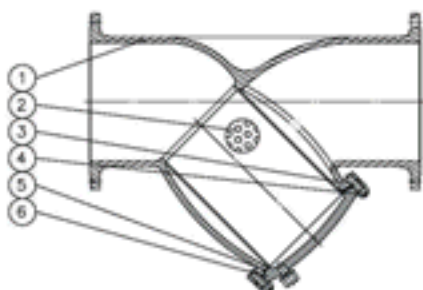


Size		Class 150					Class 300				
		Dimensions (mm)				Wt (kg)	Dimensions (mm)				Wt (kg)
NPS	DN	L	d	H	W	H.W	L	d	H	W	H.W
1/2	15	108	13	180	400	10	140	13	180	400	12
3/4	20	117	19	180	400	12	152	19	180	400	14
1	25	127	25	185	500	14	165	25	185	500	16
1 1/4	32	140	32	200	500	17	178	32	200	600	19
1 1/2	40	165	38	214	600	19	190	38	210	600	21
2	50	178	49	215	600	21	216	49	215	820	24
2 1/2	65	190	62	250	820	29	241	62	250	1000	31
3	80	203	74	270	820	33	283	74	270	1000	36
4	100	229	100	300	300	48	305	100	300	300	61
5	125	254	127	340	300	75	381	127	340	300	86
6	150	267	150	365	320	98	403	150	365	320	130
8	200	292	201	400	320	125	419	201	400	320	190
10	250	330	252	450	350	171	457	252	450	350	255
12	300	356	303	510	380	230	502	303	510	380	380
14	350	381	334	590	380	370	762	334	590	380	560









### Standards

Design and Manufacture: BS1873

Face to Face Dimensions: DIN3202

Flange Ends Dimensions: DIN2543-2551

Test & Inspect: DIN 3230

Part Name		Material		
1	Body	DIN 17245 GS-C25	DIN 17445 1.4308	DIN 17445 1.4408
2	Screen	ASTM 182 F304	ASTM 182 F304	ASTM 182 F316
3	Bonnet Bolt	ASTM 193 B7	ASTM 193 B8	ASTM 193 B8
4	Bonnet Nut	ASTM 194 2H	ASTM 194 8	ASTM 194 8
5	Gasket	Graphite+SS304	Graphite+SS304	Graphite+SS316
6	Bonnet	DIN 17245 GS-C25	DIN 17445 1.4308	DIN 17445 1.4408

Dimensions																	
PN16																	
DN	mm	15	20	25	32	40	50	65	80	100	125	150	200	250	300	350	400
L-RF (F1)	mm	130	150	160	180	200	230	290	310	350	400	480	600	730	850	980	1100
H	mm	73	88	93	100	115	155	198	210	250	305	358	450	503	578	598	618
PN25																	
DN	mm	15	20	25	32	40	50	65	80	100	125	150	200	250	300	350	400
L-RF (F1)	mm	130	150	160	180	200	230	290	310	350	400	480	600	730	850	980	1100
H	mm	73	88	93	100	115	155	198	210	250	305	358	450	503	578	598	618
PN40																	
DN	mm	15	20	25	32	40	50	65	80	100	125	150	200	250	300		
L-RF (F1)	mm	130	150	160	180	200	230	290	310	350	400	480	600	730	850		
H	mm	73	88	93	100	115	155	198	210	250	305	358	450	503	578		

Noted: The chart above only lists out some common composition of steel strainer parts. We may provide other different parts material composition according to the customer's request or the actual valve working condition